



Evolve

Freestanding basin H45923

620 x 470 x 850 mm
24.41 x 18.50 x 33.46 inches

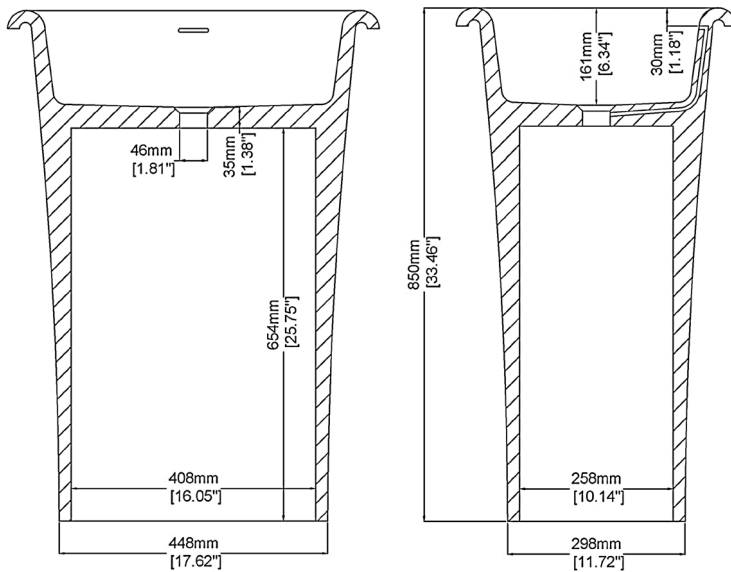
Available in various reconstituted stone colours.

Please order Chrome/ MarbleForm™ pop up waste separately.

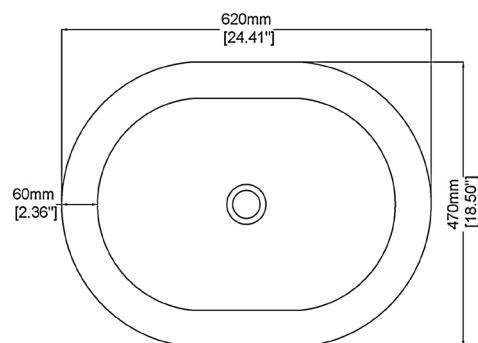


- UV Resistant
- Slip Resistant
- Stain Resistant
- Easy to Clean and Maintain
- cUPC Certified
- CE Certified

Description	Available Colours
Reconstituted stone basin with overflow.	This item is available in all of our MarbleForm™ colours, please refer to the colour palette online. Our bathware items can also be ordered in select stones and marbles, please contact customer service for further details.



Technical Information		
Weight	83 kg	/ 183 lbs
Weight with Water	99 kg	/ 218 lbs
Capacity	16 L	/ 4.23 US gal
Water Depth to Overflow	125 mm	/ 4.92 "



* Product features/ benefits are defined by test result of specific standard (ASTM, EN/ BS, IAPMO) with Claybrook's standard colours

* All measurements are subject to change and variation.

* This specification sheet should not be used as an installation guide. Please contact Claybrook for CAD drawings.